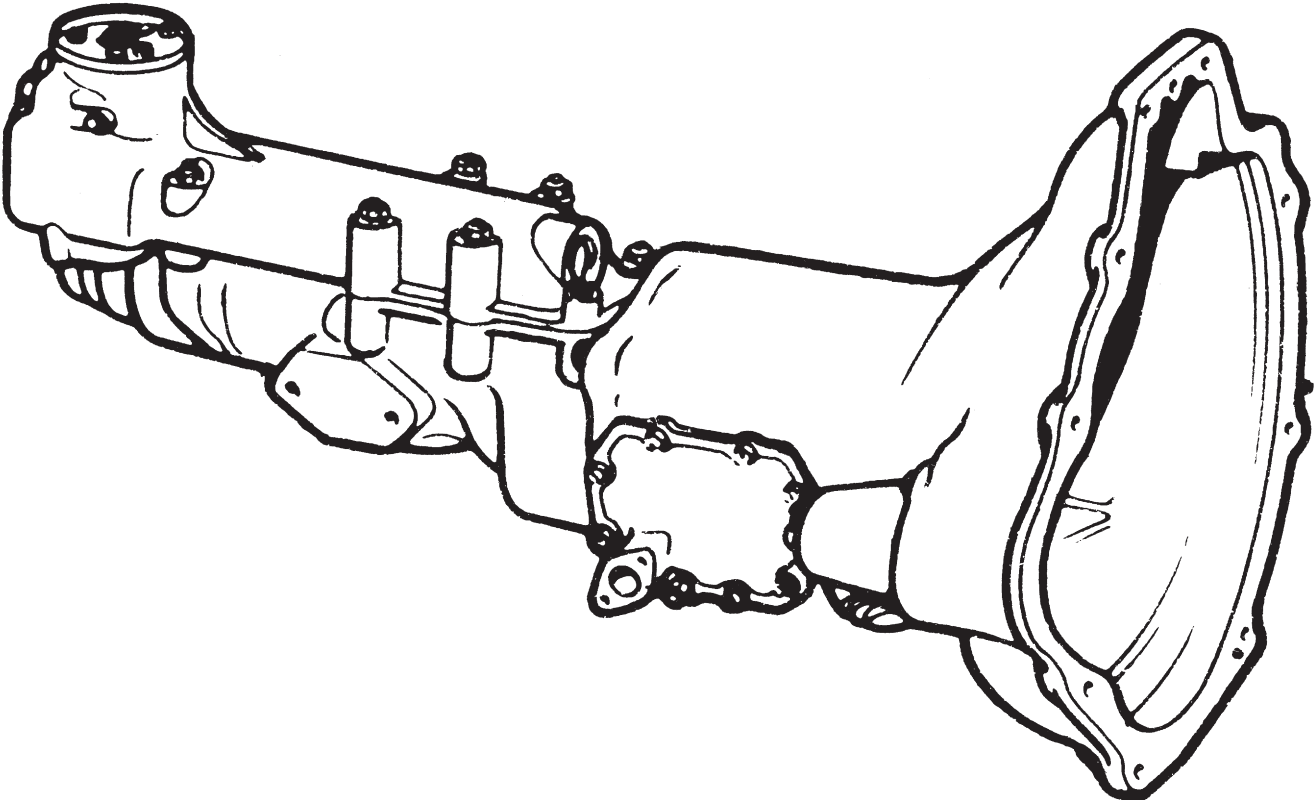
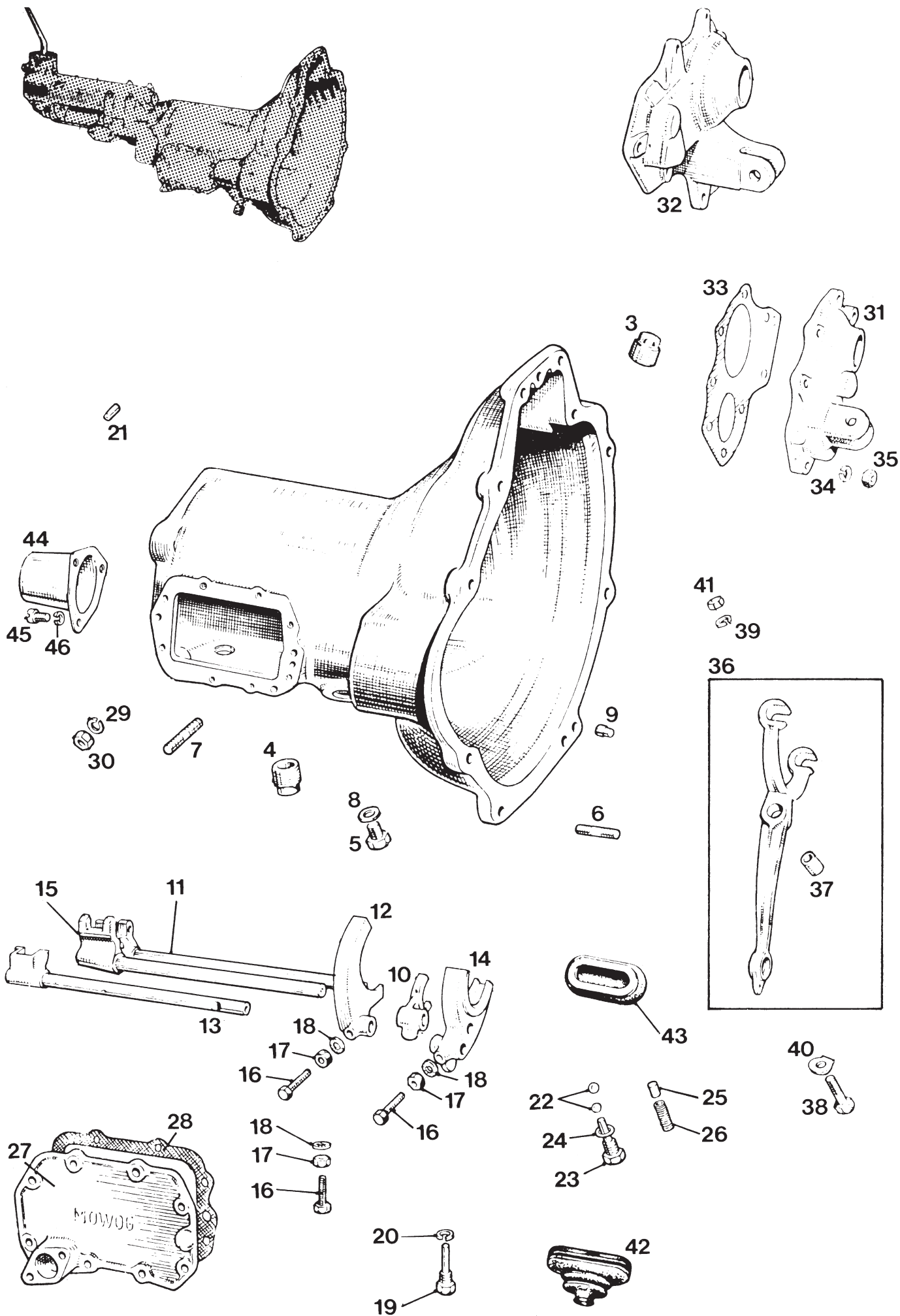
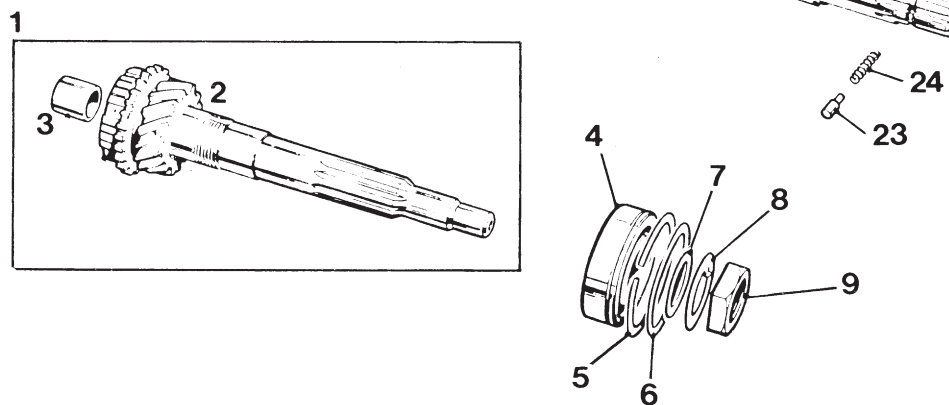
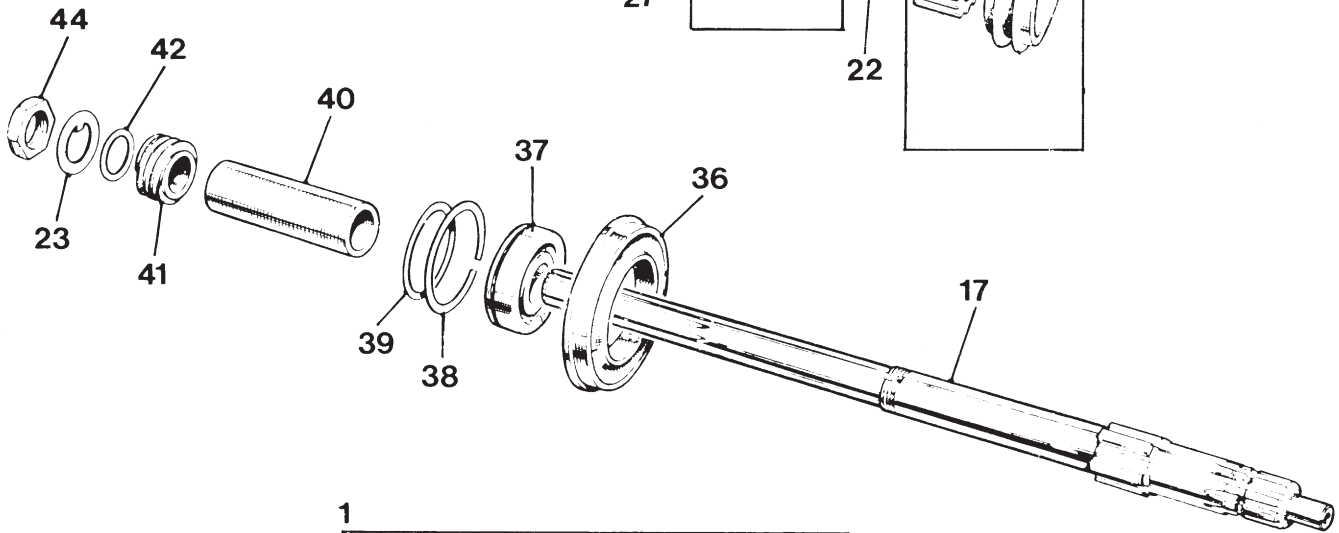
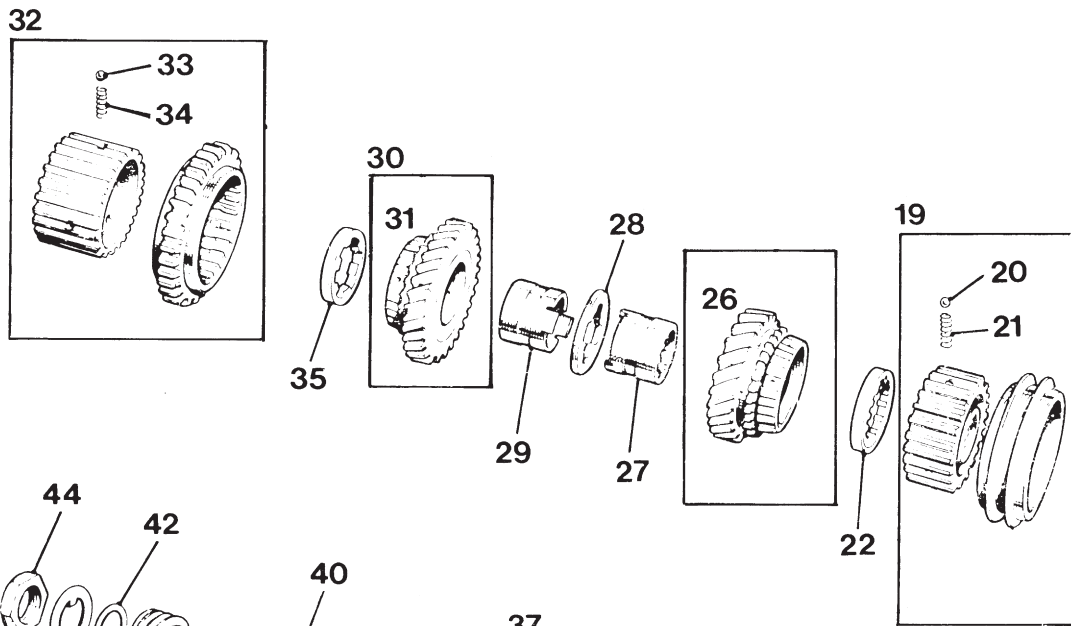
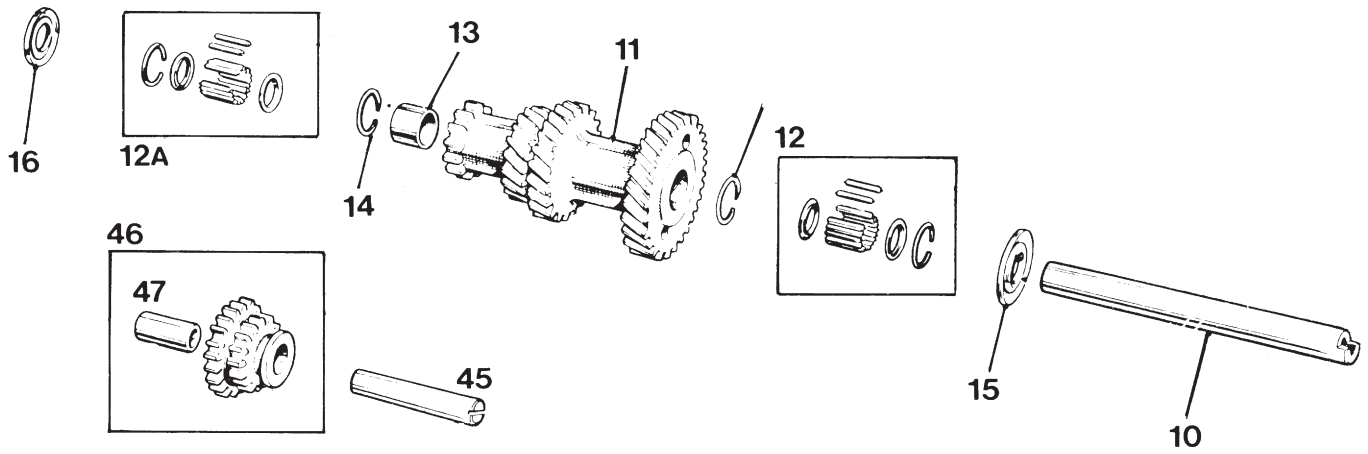


948cc

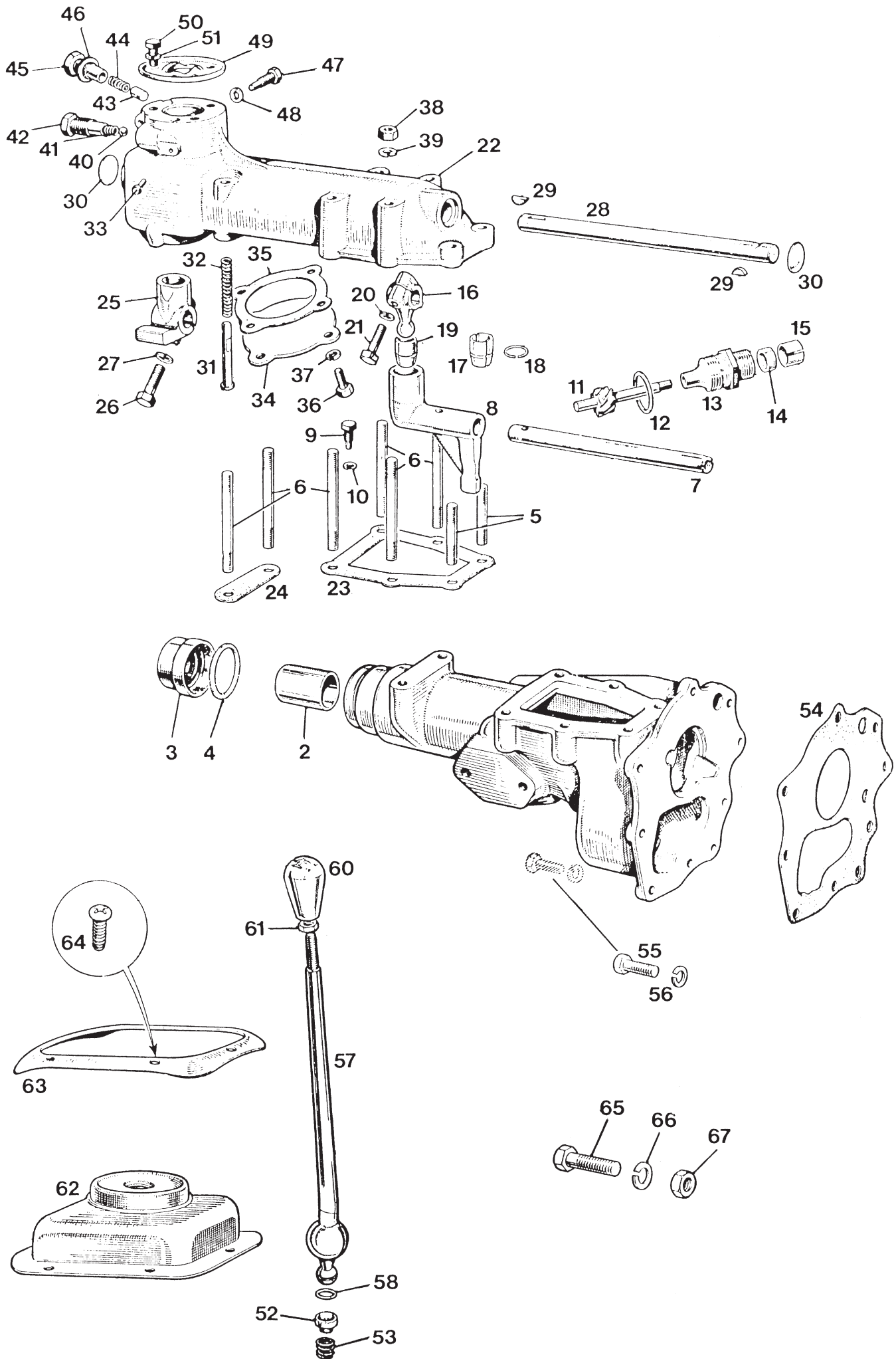




Part Number	ESM Order Ref.	Illus. No.	Description	Remarks
Gearbox - 948 cc				
9G103	10G103	3	Plug - oil filler	
9G104	10G103	4	Plug - oil drain	
9G105	10G105	5	Reverse plunger	
9G106	10G107	6	Stud - front cover	
9G106	10G107	7	Stud - side cover	
9G107	10G106	8	Washer - reverse plunger	
9G108	9G108	9	Dowel - gearbox to mounting plate	
9G109	10G110	10	Fork - reverse	
9G110	9G110SH	11	Rod - reverse fork	
9G111	9G111	12	Fork - 1st and 2nd speed	
9G112	9G112SH	13	Rod - 1st and 2nd speed fork	
9G113	9G113	14	Fork - 3rd and 4th speed	
9G114	9G114SH	15	Rod - 3rd and 4th speed fork	
9G115	9G115	16	Screw - fork locating	
9G116	FIX156	17	Washer - spring - 1/4"	
9G117	FIX137	18	Nut - 1/4" UNF	
9G118	10G119	19	Screw - locking - reverse shaft	
9G119	FIX156	20	Washer - spring - 1/4"	
9G120	10G121	21	Plunger - interlocking	
9G121	10G122	22	Ball - interlocking	
9G122	10G123SH	23	Plug - interlocking - ball hole	
9G123	10G106	24	Washer - fibre	
9G124	10G121	25	Plunger - fork rods	
9G125	10G126	26	Spring - plunger	
9G126	10G127SH	27	Cover - side	
9G127	10G128	28	Gasket - side cover	
9G128	FIX156	29	Washer - spring - 1/4"	
9G129	FIX137	30	Nut - 1/4" UNF	
9G130	9G130	31	Cover - front - RHD	
9G131	9G131	32	Cover - front - LHD	
9G132	9G132	33	Gasket - front cover	
9G133	FIX157	34	Washer - spring - 5/16"	
9G134	FIX137	35	Nut - 1/4" UNF	
9G135	9G135	36	Lever - clutch withdrawal	
9G136	FIX120	37	Bush - lever	
9G137	FIX119	38	Bolt - clutch withdrawal lever	
9G138	FIX157	39	Washer - spring - 5/16"	
9G139	9G139SH	40	Washer - lock	
9G140	FIX139	41	Nut - 5/16" UNF	
9G141	10G261	42	Cover - clutch withdrawal lever	
9G142	10G262	43	Cover - dust - blanking	
9G143	10G136SH	44	Cover - starter pinion	
9G144	10G137	45	Screw	
9G145	FIX145	46	Washer - spring - 1/4"	



Part Number	ESM Order Ref.	Illus. No.	Description	Remarks
			Gearbox - 948cc	
9G146	9G146	1	Shaft - 1st motion	
9G147	NSP	2	Cone - synchronizing	
9G148	9G148	3	Bush - 3rd motion shaft	
9G149	10G141	4	Bearing - ball - 1st motion shaft	
9G150	10G142	5	Ring - spring - bearing	
			Washer - packing - bearing	
9G151	10G143	6	.004" (.1016 mm)	
9G152	10G144	6	.006" (.1524 mm)	
9G153	10G145	6	0.10" (.254 mm)	
9G154	10G146SH	7	Washer - plain - shaft	
9G155	10G147	8	Washer - lock	
9G156	10G148	9	Nut	
9G157	10G149	10	Lay shaft	
9G158	9G158	11	Lay gear	
		12	Bearing - needle roller (with spring ring)	Use 9G159
9G159	10G152	12A	Bearing - cage - needle roller	
9G160	10G153	13	Piece - distance	
9G161	10G154	14	Ring - spring	
			Washer - thrust	
9G162	10G155	15	Front	
9G163	10G156	16	Rear - .123" to .124" (3.12mm to 3.14mm)	
9G164	10G157	16	Rear - .125" to .126" (3.17mm to 3.20mm)	
9G165	10G158	16	Rear - .127" to .128" (3.22mm to 3.25mm)	
9G166	10G159	16	Rear - .130" to .131" (3.30mm to 3.32mm)	
9G167	9G167	17	Shaft - 3rd motion	
9G168	9G168	19	Synchronizer assembly - 3rd and 4th speed	
9G169	10G162	20	Ball - synchronizer	
9G170	9G170	21	Spring - synchronizer	
			Washer - thrust - front	
9G171	10G165	22	.212" to .213" (5.38mm to 5.41mm)	
9G172	10G166	22	.214" to .215" (5.43mm to 5.46mm)	
9G173	10G167	22	.216" to .217" (5.48mm to 5.51mm)	
9G174	10G168	22	.218" to .219" (5.53mm to 5.56mm)	
9G175	10G169	23	Peg - thrust washer	
9G176	10G170SH	24	Spring - peg	
9G177	9G177	25	Gear - 3rd speed	
9G178	NSP	26	Cone - synchronizing	
9G179	10G172	27	Bush - 3rd speed gear	
9G180	10G173	28	Ring - interlocking 2nd & 3rd speed gear bushes	
9G181	10G175	29	Bush - 2nd speed gear	
9G182	9G182SH	30	Gear -2nd speed	
9G183	NSP	31	Cone - synchronizing	
9G184	9G184SH	32	1st speed wheel & 2nd speed synchronizer assy.	
9G185	10G162	33	Ball - synchronizer	
9G186	9G186SH	34	Spring - synchronizer	
9G187	10G180	35	Washer - thrust - rear	
9G188	9G188SH	36	Bearing - housing	
9G189	10G141	37	Bearing - ball - 3rd motion shaft	
9G190	10G185	38	Ring - spring	
			Washer - packing - bearing	
9G191	10G143	39	.004" (.1016 mm)	
9G192	10G144	39	.006" (.1524 mm)	
9G193	10G145	39	0.10" (.254 mm)	
9G194	9G194SH	40	Piece - distance - 3rd motion shaft	
9G195	10G190	41	Wheel - speedometer	
9G196	10G146SH	42	Washer - plain	
9G197	10G192	43	Washer - lock	
9G198	10G193	44	Nut - 3rd motion shaft	
9G199	10G194SH	45	Shaft - reverse	
9G200	9G200	46	Wheel - reverse	
9G201	10G196	47	Bush - reverse wheel	



Part Number	ESM Order Ref.	Illus. No.	Description	Remarks
9G202	10G198	2	Bush	
9G203	10G199	3	Seal assembly - oil	
9G205	10G200	5	Stud - remote control housing - short	
9G206	10G201	6	Stud - remote control housing - long	
9G207	9G207SH	7	Shaft - remote control	
9G208	9G208SH	8	Lever - contol	
9G209	10G204	9	Peg - locating - lever	
9G210	FIX156	10	Washer - spring - 1/4"	
9G211	10G206	11	Pinion - speedometer	
9G212	9G212SH	12	Washer - joint - pinion bush	
9G213	9G213SH	13	Bush - pinion (nylon)	
9G214	10G208	14	Seal - oil	
9G215	9G215SH	15	Ring - seal retaining	
9G216	10G208SH	16	Lever - front selector	
9G217	10G209	19	Bush - selector	
9G218	FIX156	20	Washer - spring - 1/4"	
9G219	10G216SH	21	Screw	
9G220	9G220SH	22	Casing - remote control	
9G221	10G213	23	Gasket - casing to extension - front	
9G222	10G214	24	Gasket - casing to extension - rear	
9G223	10G215SH	25	Lever - selector - rear	
9G224	10G216SH	26	Screw	
9G225	FIX157	27	Washer - spring - 5/16"	
9G226	10G218SH	28	Shaft - remote control	
9G227	9G227	29	Key	
9G228	10G220	30	Plug - welch	
9G229	10G221SH	31	Plunger - reverse selector	
9G230	10G222	32	Spring - plunger	
9G231	10G223SH	33	Pin - locating - plunger	
9G232	10G224SH	34	Cover	
9G233	10G225	35	Gasket	
9G234	FIX136	36	Screw - 1/4" UNF x 1/2"	
9G235	FIX156	37	Washer - spring - 1/4"	
9G236	FIX139	38	Nut - 5/16" UNF	
9G237	FIX157	39	Washer - spring - 5/16"	
9G238	10G230	40	Ball - reverse selector plunger	
9G239	10G231	41	Spring	
9G240	10G232SH	42	Plug - reverse plunger	
9G241	10G233	43	Plunger - anti-rattle	
9G242	10G234	44	Spring - plunger	
9G243	10G235SH	45	Cap - spring retaining	
9G244	10G236	46	Copper washer - 7/8" O/D	
9G245	10G204	47	Peg - change speed lever locating	
9G246	FIX156	48	Washer - spring - 1/4"	
9G247	10G251SH	49	Cover	
9G248	FIX136	50	Screw - 1/4" UNF x 5/8"	
9G249	FIX156	51	Washer - spring - 1/4"	
9G250	10G241	52	Button - thrust	
9G251	10G242	53	Spring - thrust button	
9G252	9G252	54	Gasket	
9G253	FIX136	55	Screw - 1/4" UNF x 7/8"	
9G254	FIX156	56	Washer - spring - 1/4"	
9G255	9G255SH	57	Lever - change speed	
9G256	10G249	58	Ring - change speed lever	
9G257	10G250	60	Knob	
9G258	FIX139	61	Lock nut	
9G259	10G255	62	Grommet	
9G260	10G256	63	Retainer - grommet	
9G261	10G257	64	Screw	
9G262	FIX138B	65	Screw - 5/16" UNF x 1 1/8"	
9G263	FIX157	66	Washer - spring - 5/16"	
9G264	FIX139	67	Nut - 5/16" UNF	
GSK106	9G280		Gasket set - gearbox	